

TECHNICAL DATA

TYPE

LOUP floodlight with low wind resistance. Comprehensive range available in Two sizes with extensive optical and light distributions from 1000W up to 12000W to cover all applications. Can be tilted in all directions thanks to its fixing galvanized and painted bracket.

CHARACTERISTICS

LEDs: 5050
 Nomial efficacy:160 lm/W
 Maximum LED: 1000mA
 Lifetime L90B10:>50,000 hours
 Luminous flux and efficacy at 5700°K and CRI>80
 Luminous flux tolerance <+/-3%
 Values may be subject to change du LED binning.

OPENING/BEAM

High efficiency Ra>80 LED. 90°

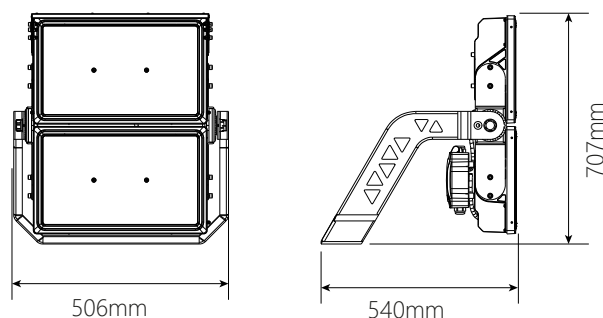
MATERIAL

Die-cast aluminium, Transparent 4mm
 tempred-Glass
 Aluminum frame
 Steel Galvanized and painted bracket



Model:	Loup
Format:	Rectangular
Location:	Exterior
Wattage:	1200W
Materials:	Aluminium
Led Color:	5700K
Product Dimension:	506*707*540mm
IP Code:	67
Fixation:	Surface
CRI :	80
Lumen Output:	192000LM
Frequency:	50/60 Hz
Beam Angle:	90°
Net Weight:	32Kgs

DIMENSION DRAW



OUTDOOR